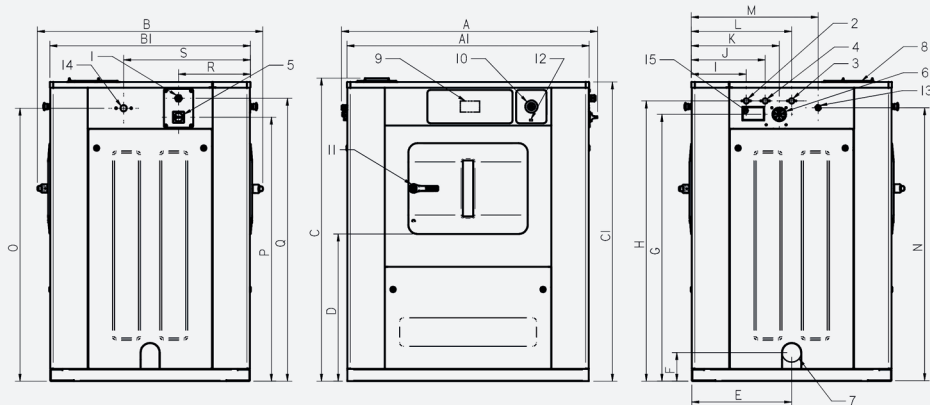


TECHNICAL DATA	UNIT.	ASM-35 TOUCH	
<b>DRUM</b>			
Capacity 1:9 / 1:10	Kg	37 / 33	
Volume	l	330	
Diameter	mm	800	
Depth	mm	654	
Number of compartments	Nº.	1	
<b>GENERAL DETAILS</b>			
Washing speed / Spining speed	r.p.m.	45 / 1.000	
G Factor	-	400	
Maximum force transmitted	KN	10,4 ±2,9	
Frequency-dynamic force	Hz	16,7	
Sound level	dB	< 70	
Double drain	-	Opt	
Weighing System	-	Opt	
<b>DOOR</b>			
Height base door	mm	776	
Drum opening dimensions	mm	450 x 320	
Vat opening dimensions	mm	510 x 460	
<b>POWER</b>			
Motor	kW	4	
Electric heating	kW	27	
Max. power (Electric model)	kW	31	
Max. power (Hot water model)	kW	4	
Max. power (Steam model)	kW	4	
<b>CONNECTIONS</b>			
		<b>ELECTRIC</b>	<b>STEAM / HOT WATER</b>
Tension 230V- I + N + T	Nº x mm2 / A	-	-
Tension 230V- III + T	Nº x mm2 / A	3 x 16 / 100A	3 x 2,5 / 16A
Tension 400V- III + N + T	Nº x mm2 / A	4 x 10 / 50A	4 x 2,5 / 10A
Steam inlet (Steam mod.)	inch	3/4"	
Maximum steam consumption (Steam mod.)	Kg/h	18	
Water inlet	inch	3/4"	
Water main pressure	Kgs/cm <sup>2</sup>	3-5	
Maximum water consumption*	Lit/h	260*	
Drain	mm/inch	3"	
Drainage capacity	Lit/min	200	
<b>DIMENSIONS / PACKING DIMENSIONS</b>			
Width / Width	mm	1.280 / 1.452	
Depth / Depth	mm	1.060 / 1.222	
Height / Height	mm	1.580 / 1.694	
Net weight / Gross weight	kg	748 / 780	
Volume	m <sup>3</sup>	3,01	



\* Nº2 Program, 100% load

- 01. Electrical connection
- 02. Hot water
- 03. Cold water
- 04. Soft water
- 05. Main switch
- 06. Liquid soap inlet
- 07. Drain
- 08. Soap box
- 09. Control panel
- 10. Emergency stop button
- 11. Door opening
- 12. USB port
- 13. Pump connection for soap box
- 14. Steam inlet
- 15. Vent

	A	B	C	A1	B1	C1	D	E	F	G	H	I	J	K	L	M	N	O	P	Q	R	S
ASM-35	1.352	1.191	1.601	1.280	1.060	1.580	778	528	152	1.409	1.480	290	390	465	530	670	1.441	1.441	1.394	1.494	380	670