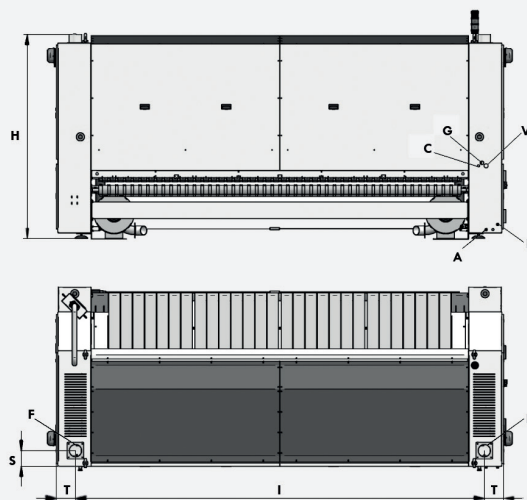


TECHNICAL DATA	UNIT.	CE26100	CE33100
GENERAL DETAILS			
Theoretical production (45% humidity)	Kg/h	190-230	250-290
Ø Roll	mm	1.000	1.000
Working width	mm	2.600	3.300
Height floor-feeding	mm	1.050	1.050
Working speed	mt/min	4-18	4-18
Control type	-	Touch	Touch
Programmes	Nº	20	20
FOLDING			
1 lane - Primary fold	Nº	1-2	1-2
1 lane - Cross fold	Nº	-	-
2 lanes - Primary fold	Nº	1-2	1-2
2 lanes - Cross fold	Nº	-	-
POWER			
Heating power (electric model)	kW	90	90
Total electric power (electric model)	kW	92,6	92,6
Heating power (gas model)	kW	117	156
Total electric power (gas model)	kW	2,6	2,6
Heating power (steam model)	kW	120	150
Total electric power (steam model)	kW	2,6	2,6
CONNECTIONS			
Ø Gas inlet	BSP	1"	1"
Ø Steam inlet	BSP	1-1/4"	1-1/4"
Ø Condensed (Steam model)	BSP	1"	1"
Ø Air inlet	mm	12	12
DIMENSIONS / PACKAGING DIMENSIONS			
Width / Width	mm	3.786/3.870	4.486/4.570
Depth / Depth	mm	1.985/2.070	1.985/2.070
Height / Height	mm	2.180/2.380	2.180/2.380
Weight / Weight	Kg	3.350/3.800	3.950/4.500
Volume	m3	16,38/19,07	19,41/22,51
OTHERS			
No. Fume outlet	Nº	2	2
Ø Fume outlet	mm	120	120
Air flow	m3/h	2 x 1.000	2 x 1.000
Air Consumption (6,5 Bar)	NI/h	9.500	9.500
Sound Level	dB	70	70



- A. Compressed air inlet
- C. Condensation discharge (steam heating)
- E. Electrical connection
- F. Fumes discharge connection
- G. Gas inlet (gas heating)
- V. Steam inlet (steam heating)

	H	I	T	S	A	C	E	F	G	V
CE26100	2.166	3.242	186	152	Ø 12	1"	5 x 2,5	Ø 120	1"	1-1/4"
CE33100	2.166	3.942	186	152	Ø 12	1"	5 x 2,5	Ø 120	1"	1-1/4"