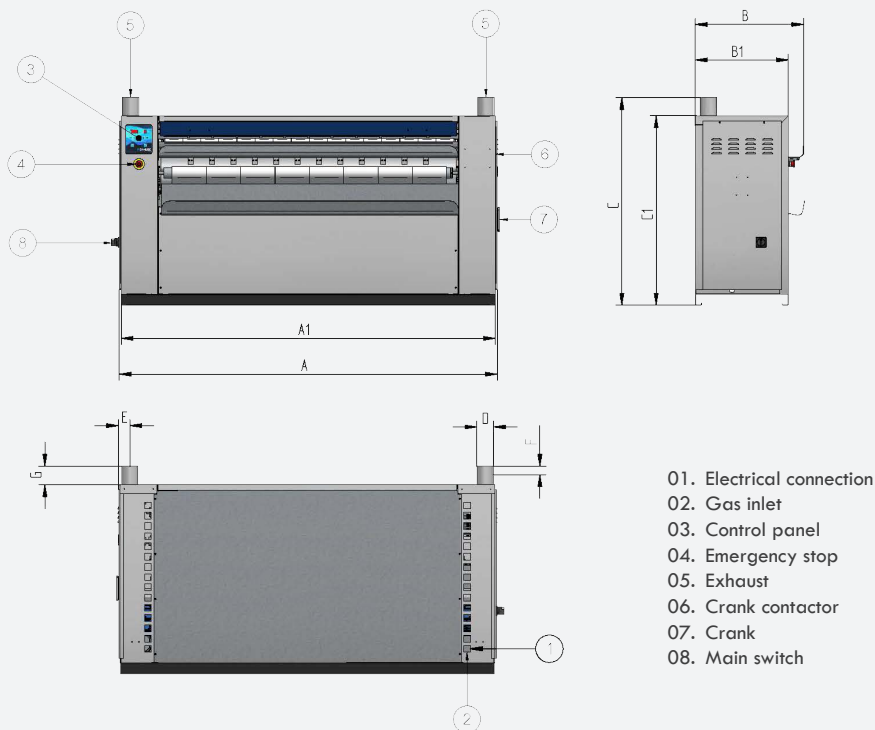


TECHNICAL DATA	UNIT.	CM-1432	CM-1632	CM-2032			
GENERAL DETAILS							
Theoretical production 45% humidity	Kg/h	10-20	20-30	30-40			
Theoretical production 45% humidity. Radiant burner	Kg/h	12-25	25-37	37-50			
Ø Roll	mm	325	325	325			
Working width	mm	1.400	1.600	2.000			
Height floor-feeding belts	mm	990	990	990			
Working speed	mt/min	1-6,5	1-6,5	1-6,5			
POWER							
Heating power (electric model)	kW	12	16,2	21			
Total electric power (electric model)	kW	12,37	16,57	21,49			
Heating power (gas model)	kW	14	22,5	30			
Total electric power (gas model)	kW	0,37	0,37	0,49			
Roll motor power	kW	0,25	0,25	0,25			
Fan motor power	kW	0,12	0,12	0,12 (x2)			
CONNECTIONS							
		ELECTRICAL	GAS	ELECTRICAL	GAS	ELECTRICAL	GAS
Tension 230V - III + T	Nº x mm2 / A	4 x 6 / 32A	4 x 2,5 / 2A	4 x 10 / 50A	4 x 2,5 / 2A	4 x 16 / 63A	4 x 2,5 / 2A
Tension 400V - III + N + T	Nº x mm2 / A	5 x 4 / 20A	5 x 2,5 / 2A	5 x 4 / 25A	5 x 2,5 / 2A	5 x 6 / 32A	5 x 2,5 / 2A
Ø Gas inlet	BSP	1/2"		1/2"		1/2"	
DIMENSIONS / PACKAGING DIMENSIONS							
Width / Width	mm	1.960/2.340		2.210/2.340		2.560/2.780	
Depth / Depth	mm	644/770		644/770		644/770	
Height / Height	mm	1.107/1.400		1.107/1.400		1.107/1.400	
Weight / Weight	Kg	300/335		355/375		405/428	
Volume	m3	1,40/2,52		1,58/2,52		1,83/3,00	
OTHERS							
No. Fume outlet	Nº	1		1		2	
Ø Fume outlet	mm	98		98		98	
Air flow	m3/h	500		500		1.000	
Sound Level	dB	60		60		63	



	A	B	C	A1	B1	C1	D	E	F	G
CM-1432	2.030	644	1.247	1.960	546	1.107	Ø 98	66	77	140
CM-1632	2.280	644	1.247	2.210	546	1.107	Ø 98	66	77	140
CM-2032	2.630	644	1.247	2.560	546	1.107	Ø 98	66	77	140