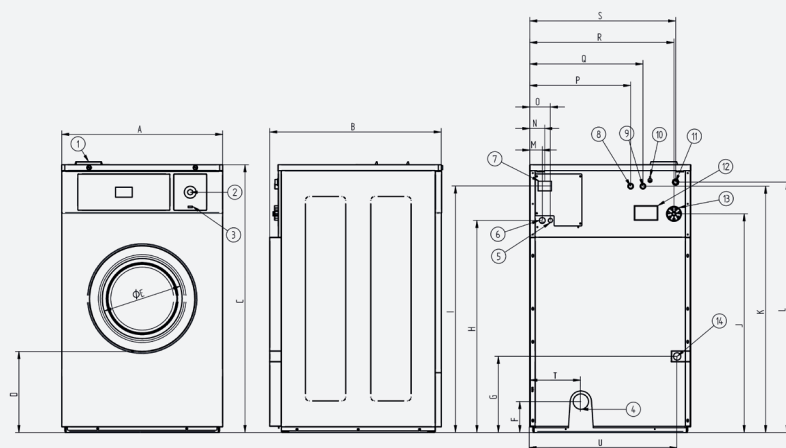


TECHNICAL DATA	UNIT.	DHS-11 TOUCH	DHS-14 TOUCH	DHS-18 TOUCH			
DRUM							
Load capacity 1:9 / 1:10	Kg	11/10	14/13	20/18			
Volume	l	100	130	180			
Diameter	mm	532	620	700			
Depth	mm	425	430	470			
GENERAL DETAILS							
Washing speed / Spining speed	r.p.m.	50/ 1.245	50/ 1.150	47/ 1.080			
G Factor	-	450	450	450			
Maximum force transmitted	KN	2,3 ±0,2	2,5 ±1,05	3,6 ±1,4			
Frequency-dynamic force	Hz	16,7	16,7	16			
Sound level	dB	70	70	70			
Self-service version	-	Yes	Yes	Yes			
Double drain	-	No	Opt	Opt			
Weighing System / Tilting System	-	Opt/No	Opt/No	Opt/No			
DOOR							
Height center door / Height door	mm	625/415	700/440	750/510			
Diameter	mm	290	373	373			
POWER							
Motor	kW	0,75	1,5	2,2			
Heating (Electric model)	kW	6	9	12			
Max. power (Electric model)	kW	6,25	9,5	12,75			
Max. power (steam and hot water)	kW	0,75	1,5	2,2			
CONNECTIONS							
		ELECTRICAL	STEAM / HOT WATER	ELECTRICAL	STEAM / HOT WATER	ELECTRICAL	STEAM / HOT WATER
Tension 230V - I + N + T	N° x mm ² / A	3 x 4 / 32A	3 x 1,5 / 6A	3 x 10 / 50A	3 x 1,5 / 10A	3 x 16 / 63A	3 x 1,5 / 10A
Tension 230V - III + T	N° x mm ² / A	4 x 2,5 / 20A	-	4 x 4 / 25A	-	4 x 6 / 40A	-
Tension 400V - III + N + T	N° x mm ² / A	5 x 1,5 / 10A	-	5 x 1,5 / 16A	-	5 x 2,5 / 20A	-
Steam inlet (Steam mod.)	inch	1/2"		1/2"		1/2"	
Maximum steam consumption (Steam mod.)	Kg/h	7		8,5		12	
Water inlet	inch	3/4"		3/4"		3/4"	
Water main pressure	Kgs/cm ²	2-4		2-4		2-4	
Maximum water consumption*	Lit/h	71,4		88,8		118,3	
Drain	mm/inch	3"		3"		3"	
Drainage capacity	Lit/min	200		200		200	
DIMENSIONS / PACKING DIMENSIONS							
Width / Width	mm	692/750		788/860		884/960	
Depth / Depth	mm	788/1.000		869/1.000		913/1.050	
Height / Height	mm	1.158/1.420		1.307/1.570		1.415/1.700	
Net weight / Gross weight	kg	212/240		254/288		348/386	

* N°20 Program, 75% load



01. Soap dispenser
02. Emergency stop
03. Usb port
04. Drain
05. Electric connection to liquid soap pumps
06. Electrical connection
07. Main switch
08. Auxiliar water inlet
09. Hot water inlet
10. Ground connection
11. Cold water inlet
12. Blur output / water overload
13. Liquid soap connection
14. Steam connection

	A	B	C	D	E	F	G	H	I	J	K	L	M	N	O	P	Q	R	S	T	U
DHS-11	692	788	1.158	408	290	93	355	886	1.055	940	1.053	1.073	61	74	101	413	468	610	623	252	626
DHS-14	788	869	1.307	427	373	130	385	1.035	1.203	1.067	1.202	1.222	61	74	101	494	554	706	714	243	718
DHS-18	884	913	1.415	490	373	99	390	1.143	1.207	1.166	1.331	1.331	61	74	101	437	517	769	810	355	833