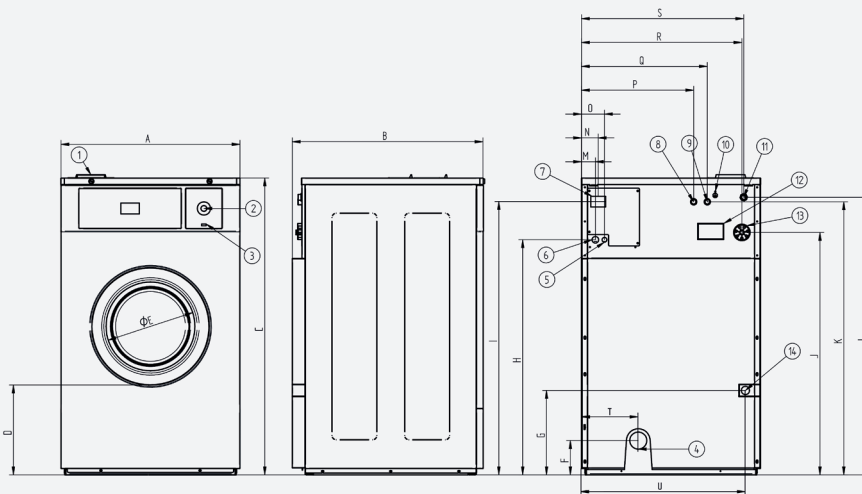


TECHNICAL DATA	UNIT.	DLS-60 TOUCH	
DRUM			
Load capacity 1:9 / 1:10	Kg	67/60	
Volume	l	600	
Diameter	mm	1.048	
Depth	mm	684	
GENERAL DETAILS			
Washing speed / Spining speed	r.p.m.	42,5/416	
G Factor	-	100	
Maximum force transmitted	KN	9,3 ±1,2	
Frequency-dynamic force	Hz	6,93	
Self-service version	-	Yes	
Double drain	-	Opt	
Option 8mm holes drum	-	Yes	
DOOR			
Height center door / Height door	mm	900/540	
Diameter	mm	560	
POWER			
Motor	kW	5,5	
Heating (Electric model)	kW	28,8	
Max. power (Electric model)	kW	31,3	
Max. power (steam and hot water)	kW	5,5	
CONNECTIONS		ELECTRICAL	STEAM / HOT WATER
Tension 230V- I + N + T	N° x mm2 / A	-	-
Tension 230V- III + T	N° x mm2 / A	4 x 25 / 100A	4 x 1,5 / 6A
Tension 400V- III + N + T	N° x mm2 / A	5 x 16 / 63A	5 x 1,5 / 16A
Steam inlet (Steam mod.)	inch	3/4"	
Maximum steam consumption (Steam mod.)	Kg/h	21	
Water inlet	inch	3/4"	
Water main pressure	Kgs/cm2	2-4	
Maximum water consumption*	Lit/h	627,9	
Drain	mm/inch	3"	
Drainage capacity	Lit/min	200	
DIMENSIONS / PACKING DIMENSIONS			
Width / Width	mm	1.225/1.380	
Depth / Depth	mm	1.280/1.460	
Height / Height	mm	1.640/1.920	
Net weight / Gross weight	kg	782/842	

* N°2 Program, 100% load



- 01. Soap dispenser
- 02. Emergency stop
- 03. Usb port
- 04. Drain
- 05. Electric connection to liquid soap pumps
- 06. Electrical connection
- 07. Main switch
- 08. Auxiliar water inlet
- 09. Hot water inlet
- 10. Ground connection
- 11. Cold water inlet
- 12. Blur output / water overload
- 13. Liquid soap connection
- 14. Steam connection

	A	B	C	D	E	F	G	H	I	J	K	L	M	N	O	P	Q	R	S	T	U
DLS-60	1.225	1.279	1.640	539	560	98	631	1.367	1.535	1.385	1.550	1.550	61	74	101	750	830	1.110	1.150	270	1.163