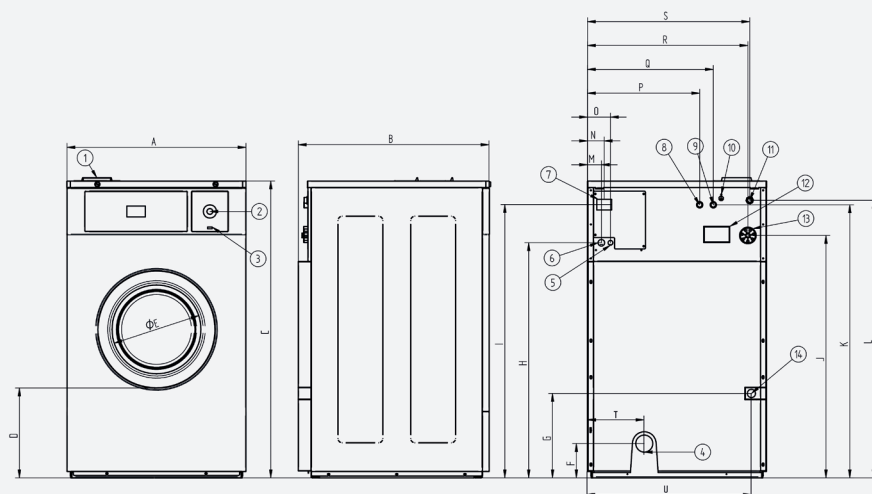


TECHNICAL DATA	UNIT.	DMS-11 TOUCH	DMS-14 TOUCH	DMS-18 TOUCH			
<b>DRUM</b>							
Load capacity 1:9 / 1:10	Kg	11/10	14/13	20/18			
Volume	l	100	130	180			
Diameter	mm	620	620	620			
Depth	mm	330	430	600			
<b>GENERAL DETAILS</b>							
Washing speed / Spining speed	r.p.m.	50/760	50/760	50/720			
G Factor	-	200	200	200			
Maximum force transmitted	KN	2,08 ±0,5	2,25 ±0,6	2,46 ±0,9			
Frequency-dynamic force	Hz	12,66	12,66	12			
Self-service version	-	Yes	Yes	Yes			
Double drain	-	No	No	Opt			
<b>DOOR</b>							
Height center door / Height door	mm	570/310	570/310	655/395			
Diameter	mm	373	373	373			
<b>POWER</b>							
Motor	kW	0,75	1,5	2,2			
Heating (Electric model)	kW	6	9	12			
Max. power (Electric model)	kW	6,25	9,5	12,75			
Max. power (steam and hot water)	kW	0,75	1,5	2,2			
<b>CONNECTIONS</b>							
		<b>ELECTRICAL</b>	<b>STEAM / HOT WATER</b>	<b>ELECTRICAL</b>	<b>STEAM / HOT WATER</b>	<b>ELECTRICAL</b>	<b>STEAM / HOT WATER</b>
Tension 230V- I + N + T	N° x mm2 / A	3 x 4 / 32A	3 x 1,5 / 6A	3 x 10 / 50A	3 x 1,5 / 10A	3 x 16 / 63A	3 x 1,5 / 10A
Tension 230V- III + T	N° x mm2 / A	4 x 2,5 / 20A	-	4 x 4 / 25A	-	4 x 6 / 40A	-
Tension 400V- III + N + T	N° x mm2 / A	5 x 1,5 / 10A	-	5 x 1,5 / 16A	-	5 x 2,5 / 20A	-
Steam inlet (Steam mod.)	inch	1/2"		1/2"		1/2"	
Maximum steam consumption (Steam mod.)	Kg/h	7		8,5		12	
Water inlet	inch	3/4"		3/4"		3/4"	
Water main pressure	Kgs/cm <sup>2</sup>	2-4		2-4		2-4	
Maximum water consumption*	Lit/h	59,8		79,4		118,7	
Drain	mm/inch	3"		3"		3"	
Drainage capacity	Lit/min	200		200		200	
<b>DIMENSIONS / PACKING DIMENSIONS</b>							
Width / Width	mm	719/800		719/800		788/880	
Depth / Depth	mm	697/850		842/1.020		851/1.040	
Height / Height	mm	1.158/1.390		1.158/1.390		1.307/1.540	
Net weight / Gross weight	kg	212/235		241/264		282/308	

\* N°20 Program, 75% load



01. Soap dispenser
02. Emergency stop
03. Usb port
04. Drain
05. Electric connection to liquid soap pumps
06. Electrical connection
07. Main switch
08. Auxiliar water inlet
09. Hot water inlet
10. Ground connection
11. Cold water inlet
12. Blur output / water overload
13. Liquid soap connection
14. Steam connection

	A	B	C	D	E	F	G	H	I	J	K	L	M	N	O	P	Q	R	S	T	U
DMS-11	719	684	1.158	310	373	135	440	886	1.055	940	1.053	1.073	61	74	101	440	495	637	650	211	654
DMS-14	719	830	1.158	310	373	135	440	886	1.055	940	1.053	1.073	61	74	101	440	495	637	650	211	654
DMS-18	788	840	1.307	395	373	150	371	1.035	1.203	1.067	1.202	1.222	61	74	101	494	554	706	714	248	718