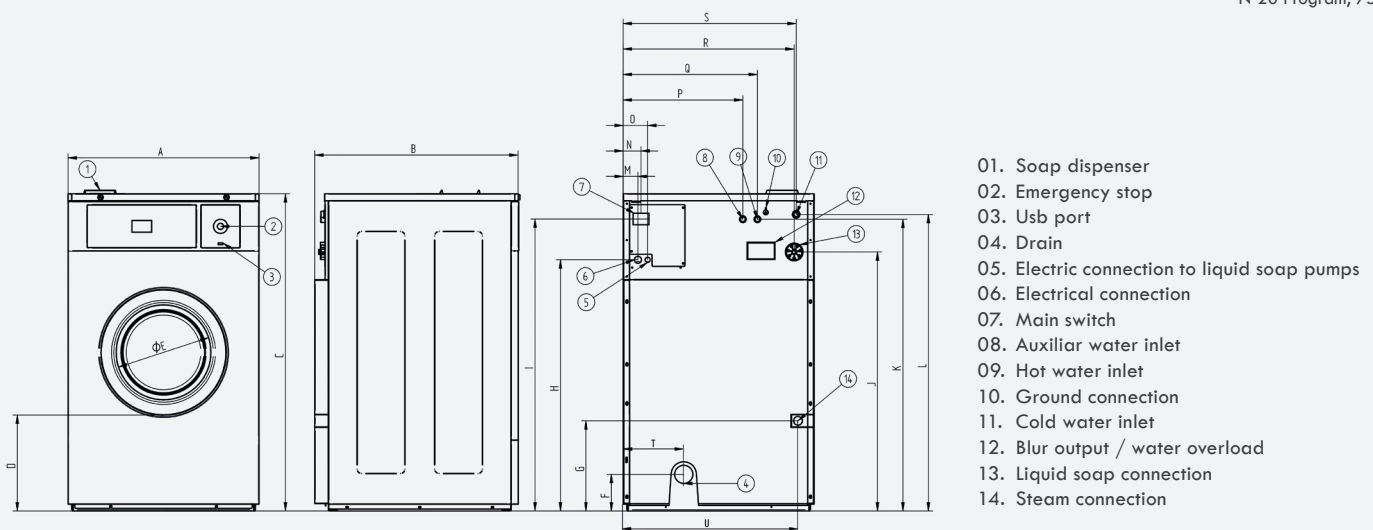


TECHNICAL DATA	UNIT.	DMS-27 TOUCH	
DRUM			
Load capacity 1:9 / 1:10	Kg	28/25	
Volume	l	250	
Diameter	mm	700	
Depth	mm	670	
GENERAL DETAILS			
Washing speed / Spining speed	r.p.m.	47/690	
G Factor	-	200	
Maximum force transmitted	KN	3,2 ±1	
Frequency-dynamic force	Hz	11,5	
Self-service version	-	Yes	
Double drain	-	Opt	
DOOR			
Height center door / Height door	mm	700/440	
Diameter	mm	373	
POWER			
Motor	kW	3	
Heating (Electric model)	kW	18	
Max. power (Electric model)	kW	19	
Max. power (steam and hot water)	kW	3	
CONNECTIONS		ELECTRICAL	STEAM / HOT WATER
Tension 230V- I + N + T	Nº x mm2 / A	3 x 25 / 100A	3 x 1,5 / 16A
Tension 230V- III + T	Nº x mm2 / A	4 x 10 / 50A	-
Tension 400V- III + N + T	Nº x mm2 / A	5 x 4 / 32A	-
Steam inlet (Steam mod.)	inch	3/4"	
Maximum steam consumption (Steam mod.)	Kg/h	15	
Water inlet	inch	3/4"	
Water main pressure	Kgs/cm ²	2-4	
Maximum water consumption*	Lit/h	176,1	
Drain	mm/inch	3"	
Drainage capacity	Lit/min	200	
DIMENSIONS / PACKING DIMENSIONS			
Width / Width	mm	884/950	
Depth / Depth	mm	1.011/1.150	
Height / Height	mm	1.307/1.550	
Net weight / Gross weight	kg	404/438	

* N°20 Program, 75% load



	A	B	C	D	E	F	G	H	I	J	K	L	M	N	O	P	Q	R	S	T	U
DLS-27	884	1.011	1.307	440	373	138	543	1.035	1.203	1.053	1.218	1.218	61	74	101	410	490	769	810	268	820