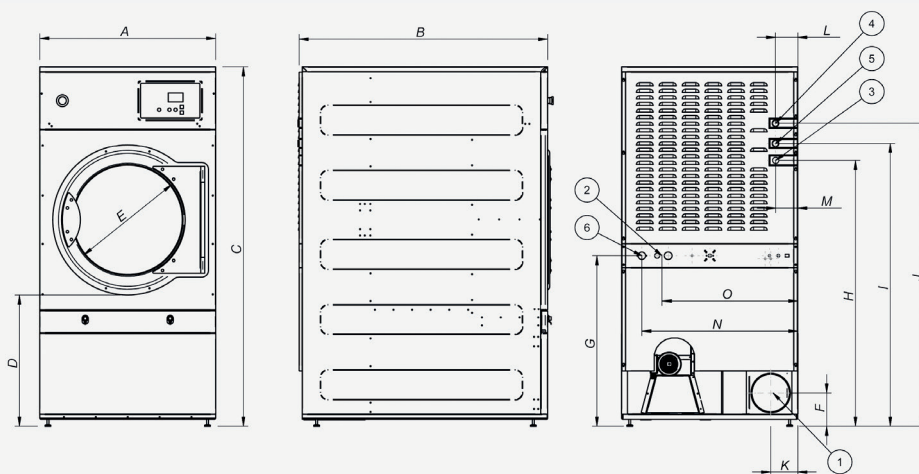


TECHNICAL DATA	UNIT.	DTA/DTP-23 COMFORT	
<b>CAPACITY</b>			
Capacity 1/18	Kg	26	
Capacity 1/20	Kg	23	
Hourly Output COMFORT	Kg/h	46	
Evaporation capacity COMFORT	l/h	23,9	
<b>DRUM</b>			
Ø Drum	mm	855	
Ø Door	mm	574	
Door center height	mm	1.030	
Load hole bottom height	mm	743	
Drum length	mm	800	
Drum volume	l	460	
<b>POWER</b>			
Drum motor power	Kw	0,37	
Fan Motor Power COMFORT	Kw	0,55	
Total Installed power COMFORT	Kw	24,97	
Electric Heating (Installed power)	Kw	24	
Gas heating (installed Power) in KW	Kw	31	
Gas heating (installed el. power) COMFORT	Kw	0,97	
Steam heating (Steam Power KW)	Kw	49,2	
Steam heating ( installed el. power) COMFORT	Kw	0,97	
<b>CONNECTIONS</b>		<b>ELECTRICAL</b>	<b>STEAM / GAS</b>
Tension 230V - I + N + T	Nº x mm2 / A	-	3 x 1,5 / 20A
Tension 230V - III + T	Nº x mm2 / A	4 x 25 / 80A	4 x 1,5 / 20A
Tension 400V - III + N + T	Nº x mm2 / A	5 x 10 / 40A	5 x 1,5 / 20A
Ø Gas inlet	BSP	1/2"	
Ø Steam inlet	BSP	1"	
Ø Condensed (Steam models)	BSP	1"	
<b>DIMENSIONS / PACKING DIMENSIONS</b>			
Width / Width	mm	890/970	
Depth / Depth	mm	1.245/1.345	
Height / Height	mm	1.812/1.940	
Height without heating battery	mm	-	
Net weight / Gross weight	Kg	210/230	
<b>OTHERS</b>			
Max airflow COMFORT	m3/h	1.200	
Ø Fume exhaust	mm	200	
Sound level COMFORT	dB	65	



- 01. Fumes outlet
- 02. Electrical connection
- 03. Gas connection
- 04. Steam connection
- 05. Condensation outlet
- 06. Anti fire water valve

	A	B	C	D	E	F	G	H	I	J	K	L	M	N	O
DTA/DTP-23	890	1.245	1.817	672	574	168	862	1.344	1.430	1.532	137	113	112	787	685