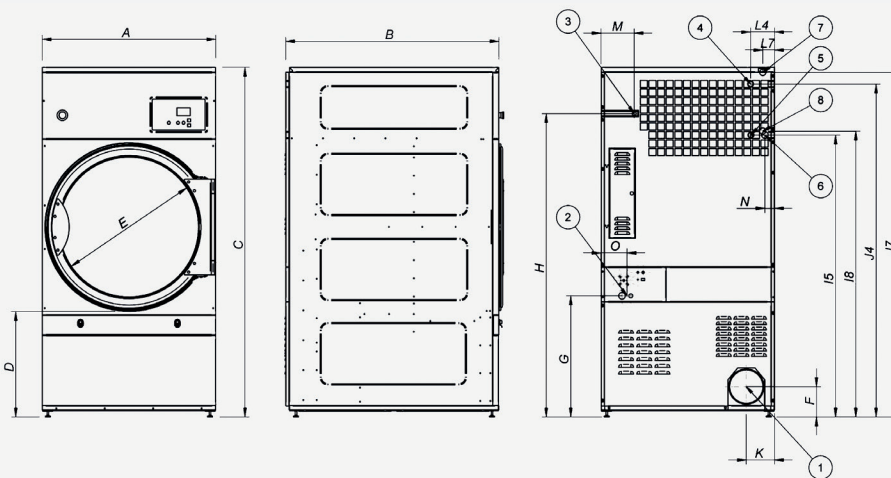


TECHNICAL DATA	UNIT.	DTA/DTP-28 COMFORT	DTA/DTP-36 COMFORT		
CAPACITY					
Capacity 1/18	Kg	31	37		
Capacity 1/20	Kg	27	33		
Hourly Output COMFORT	Kg/h	55	66		
Evaporation capacity COMFORT	l/h	28,6	34,3		
DRUM					
Ø Drum	mm	947	947		
Ø Door	mm	802	802		
Door center height	mm	1.040	1.040		
Load hole bottom height	mm	640	640		
Drum length	mm	780	936		
Drum volume	l	550	660		
POWER					
Drum motor power	Kw	0,55	0,55		
Fan Motor Power COMFORT	Kw	0,55	0,55		
Total Installed power COMFORT	Kw	31,15	37,15		
Electric Heating (Installed power)	Kw	30	36		
Gas heating (installed Power) in KW	Kw	41	41		
Gas heating (installed el. power) COMFORT	Kw	1,15	1,15		
Steam heating (Steam Power KW)	Kw	50,1	50,1		
Steam heating (installed el. power) COMFORT	Kw	1,15	1,15		
CONNECTIONS		ELECTRICAL	STEAM / GAS	ELECTRICAL	STEAM / GAS
Tension 230V - I + N + T	Nº x mm2 / A	-	3 x 1,5 / 20A	-	3 x 1,5 / 20A
Tension 230V - III + T	Nº x mm2 / A	4 x 35 / 100A	4 x 1,5 / 20A	4 x 50 / 125A	4 x 1,5 / 20A
Tension 400V - III + N + T	Nº x mm2 / A	5 x 16 / 63A	5 x 1,5 / 20A	5 x 16 / 63A	5 x 1,5 / 20A
Ø Gas inlet	BSP	1/2"		1/2"	
Ø Steam inlet	BSP	1"		1"	
Ø Condensed (Steam models)	BSP	1"		1"	
DIMENSIONS / PACKING DIMENSIONS					
Width / Width	mm	985/1.065		985/1.065	
Depth / Depth	mm	1.054/1.154		1.210/1.310	
Height / Height	mm	1.946/2.080		1.946/2.080	
Height without heating battery	mm	-		-	
Net weight / Gross weight	Kg	230/260		260/285	
OTHERS					
Max airflow COMFORT	m3/h	1.200		1.200	
Ø Fume exhaust	mm	200		200	
Sound level COMFORT	dB	65		65	



- 01. Fumes outlet
- 02. Electrical connection
- 03. Gas connection
- 04. Steam connection galva battery
- 05. Condensation outlet galva battery
- 06. Anti fire water valve
- 07. Steam connection stainless battery
- 08. Condensation outlet stainless battery

	A	B	C	D	E	F	G	H	I5	I8	J4	J7	K	L4	L7	M	N	O
DTA/DTP-28	985	1.054	1.946	577	802	172	685	1.715	1.594	-	1.883	-	160	134	-	188	55	148
DTA/DTP-36	985	1.210	1.946	577	802	172	685	1.715	1.594	1.616	1.883	1.948	160	134	67	188	55	690