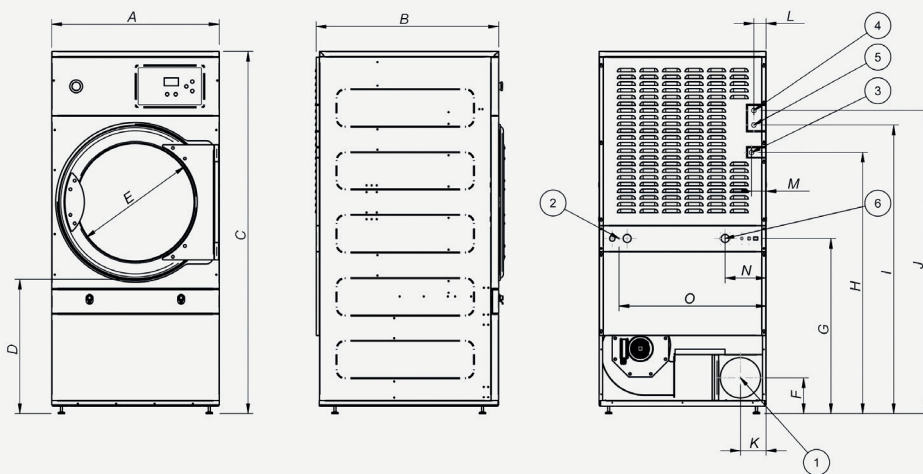


TECHNICAL DATA	UNIT.	DTP-11 ECO-ENERGY	DTP-18 ECO-ENERGY		
<b>CAPACITY</b>					
Capacity 1/18	Kg	12	18		
Capacity 1/20	Kg	11	17		
Hourly Output ECO-ENERGY	Kg/h	27	43		
Evaporation capacity ECO-ENERGY	l/h	14,17	22,4		
<b>DRUM</b>					
Ø Drum	mm	750	750		
Ø Door	mm	574	574		
Door center height	mm	976	976		
Load hole bottom height	mm	689	689		
Drum length	mm	475	746		
Drum volume	l	210	330		
<b>POWER</b>					
Drum motor power	Kw	0,25	0,25		
Fan Motor Power ECO-ENERGY	Kw	0,55	0,55		
Total Installed power ECO-ENERGY	Kw	12,85	18,85		
Electric Heating (Installed power)	Kw	12	18		
Gas heating (installed Power) in KW	Kw	20,51	20,51		
Gas heating (installed el. power) ECO-ENERGY	Kw	0,85	0,85		
Steam heating (Steam Power KW)	Kw	30	30		
Steam heating ( installed el. power) ECO-ENERGY	Kw	0,85	0,85		
<b>CONNECTIONS</b>		<b>ELECTRICAL</b>	<b>STEAM / GAS</b>	<b>ELECTRICAL</b>	<b>STEAM / GAS</b>
Tension 230V - I + N + T	Nº x mm2 / A	3 x 35 / 63A	3 x 1,5 / 20A	-	3 x 1,5 / 20A
Tension 230V - III + T	Nº x mm2 / A	4 x 10 / 40A	4 x 1,5 / 20A	4 x 16 / 63A	4 x 1,5 / 20A
Tension 400V - III + N + T	Nº x mm2 / A	5 x 4 / 25A	5 x 1,5 / 20A	5 x 10 / 32A	5 x 1,5 / 20A
Ø Gas inlet	BSP	1/2"		1/2"	
Ø Steam inlet	BSP	3/4"		3/4"	
Ø Condensed (Steam models)	BSP	3/4"		3/4"	
<b>DIMENSIONS / PACKING DIMENSIONS</b>					
Width / Width	mm	785 / 865		785 / 865	
Depth / Depth	mm	840 / 940		1.110 / 1.210	
Height / Height	mm	1.694 / 1.840		1.694 / 1.840	
Height without heating battery	mm	-		-	
Net weight / Gross weight	Kg	172 / 180		187 / 200	
<b>OTHERS</b>					
Max airflow ECO-ENERGY	m3/h	1.200		1.200	
Ø Fume exhaust	mm	200		200	
Sound level ECO-ENERGY	dB	64		64	



- 01. Fumes outlet
- 02. Electrical connection
- 03. Gas connection
- 04. Steam connection
- 05. Condensation outlet
- 06. Anti fire water valve

	A	B	C	D	E	F	G	H	I	J	K	L	M	N	O
DTP-11	785	840	1.700	618	574	168	821	1.226	1.354	1.422	121	56	68	192	690
DTP-18	785	1.010	1.700	618	574	168	821	1.226	1.354	1.422	121	56	68	192	690