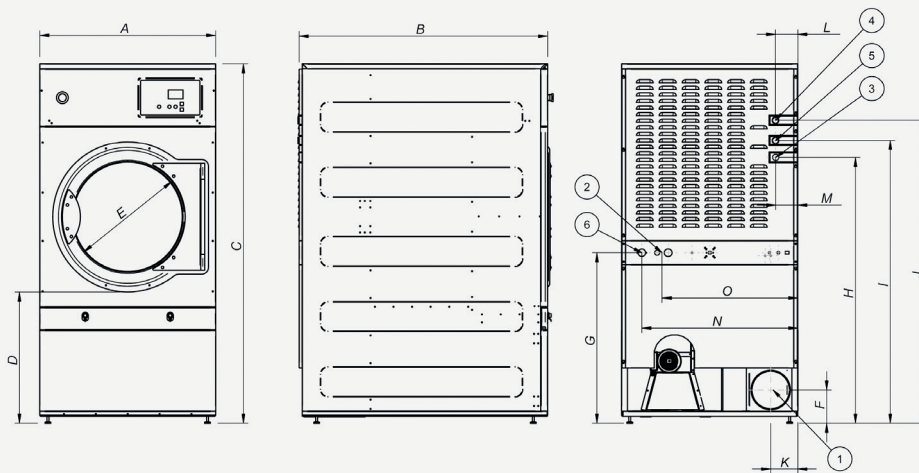


TECHNICAL DATA	UNIT.	DTP-23 ECO-ENERGY	
CAPACITY			
Capacity 1/18	Kg	26	
Capacity 1/20	Kg	23	
Hourly Output ECO-ENERGY	Kg/h	60	
Evaporation capacity ECO-ENERGY	l/h	35,1	
DRUM			
Ø Drum	mm	855	
Ø Door	mm	574	
Door center height	mm	1.030	
Load hole bottom height	mm	743	
Drum length	mm	800	
Drum volume	l	460	
POWER			
Drum motor power	Kw	0,37	
Fan Motor Power ECO-ENERGY	Kw	0,75	
Total Installed power ECO-ENERGY	Kw	25,17	
Electric Heating (Installed power)	Kw	24	
Gas heating (installed Power) in KW	Kw	31	
Gas heating (installed el. power) ECO-ENERGY	Kw	1,17	
Steam heating (Steam Power KW)	Kw	49,2	
Steam heating (installed el. power) ECO-ENERGY	Kw	1,17	
CONNECTIONS		ELECTRICAL	STEAM / GAS
Tension 230V - I + N + T	Nº x mm2 / A	-	3 x 1,5 / 20A
Tension 230V - III + T	Nº x mm2 / A	4 x 25 / 80A	4 x 1,5 / 20A
Tension 400V - III + N + T	Nº x mm2 / A	5 x 10 / 40A	5 x 1,5 / 20A
Ø Gas inlet	BSP	1/2"	
Ø Steam inlet	BSP	1"	
Ø Condensed (Steam models)	BSP	1"	
DIMENSIONS / PACKING DIMENSIONS			
Width / Width	mm	890/970	
Depth / Depth	mm	1.245/1.345	
Height / Height	mm	1.812/1.940	
Height without heating battery	mm	-	
Net weight / Gross weight	Kg	210/230	
OTHERS			
Max airflow ECO-ENERGY	m3/h	1.500	
Ø Fume exhaust	mm	200	
Sound level ECO-ENERGY	dB	65	



- 01. Fumes outlet
- 02. Electrical connection
- 03. Gas connection
- 04. Steam connection
- 05. Condensation outlet
- 06. Anti fire water valve

	A	B	C	D	E	F	G	H	I	J	K	L	M	N	O
DTP-23	890	1.245	1.817	672	574	168	862	1.344	1.430	1.532	137	113	112	787	685