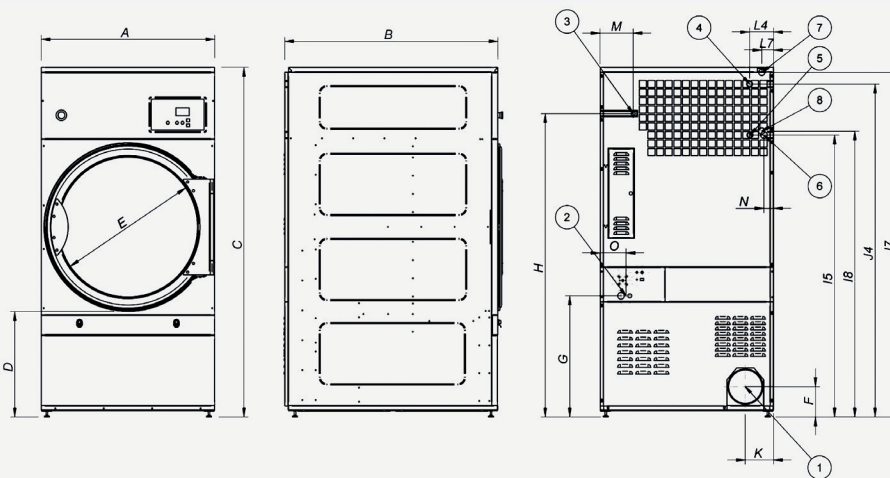


TECHNICAL DATA	UNIT.	DTP-28 ECO-ENERGY	DTP-36 ECO-ENERGY		
<b>CAPACITY</b>					
Capacity 1/18	Kg	31	37		
Capacity 1/20	Kg	27	33		
Hourly Output ECO-ENERGY	Kg/h	72	86		
Evaporation capacity ECO-ENERGY	l/h	44,6	44,6		
<b>DRUM</b>					
Ø Drum	mm	947	947		
Ø Door	mm	802	802		
Door center height	mm	1.040	1.040		
Load hole bottom height	mm	640	640		
Drum length	mm	780	936		
Drum volume	l	550	660		
<b>POWER</b>					
Drum motor power	Kw	0,55	0,55		
Fan Motor Power ECO-ENERGY	Kw	0,75	0,75		
Total Installed power ECO-ENERGY	Kw	31,35	37,35		
Electric Heating (Installed power)	Kw	30	36		
Gas heating (installed Power) in KW	Kw	41	41		
Gas heating (installed el. power) ECO-ENERGY	Kw	1,35	1,35		
Steam heating (Steam Power KW)	Kw	50,1	50,1		
Steam heating (installed el. power) ECO-ENERGY	Kw	1,35	1,35		
<b>CONNECTIONS</b>		<b>ELECTRICAL</b>	<b>STEAM / GAS</b>	<b>ELECTRICAL</b>	<b>STEAM / GAS</b>
Tension 230V - I + N + T	Nº x mm2 / A	-	3 x 1,5 / 20A	-	3 x 1,5 / 20A
Tension 230V - III + T	Nº x mm2 / A	4 x 35 / 100A	4 x 1,5 / 20A	4 x 50 / 125A	4 x 1,5 / 20A
Tension 400V - III + N + T	Nº x mm2 / A	5 x 16 / 63A	5 x 1,5 / 20A	5 x 16 / 63A	5 x 1,5 / 20A
Ø Gas inlet	BSP	1/2"		1/2"	
Ø Steam inlet	BSP	1"		1"	
Ø Condensed (Steam models)	BSP	1"		1"	
<b>DIMENSIONS / PACKING DIMENSIONS</b>					
Width / Width	mm	985/1.065		985/1.065	
Depth / Depth	mm	1.054/1.154		1.210/1.310	
Height / Height	mm	1.946/2.080		1.946/2.080	
Height without heating battery	mm	-		-	
Net weight / Gross weight	Kg	230/260		260/285	
<b>OTHERS</b>					
Max airflow ECO-ENERGY	m3/h	1.500		1.500	
Ø Fume exhaust	mm	200		200	
Sound level ECO-ENERGY	dB	65		65	



- 01. Fumes outlet
- 02. Electrical connection
- 03. Gas connection
- 04. Steam connection galva battery
- 05. Condensation outlet galva battery
- 06. Anti fire water valve
- 07. Steam connection stainless battery
- 08. Condensation outlet stainless battery

	A	B	C	D	E	F	G	H	I5	I8	J4	J7	K	L4	L7	M	N	O
DTP-28	985	1.054	1.946	577	802	172	685	1.715	1.594	-	1.883	-	160	134	-	188	55	148
DTP-36	985	1.210	1.946	577	802	172	685	1.715	1.594	1.616	1.883	1.948	160	134	67	188	55	690