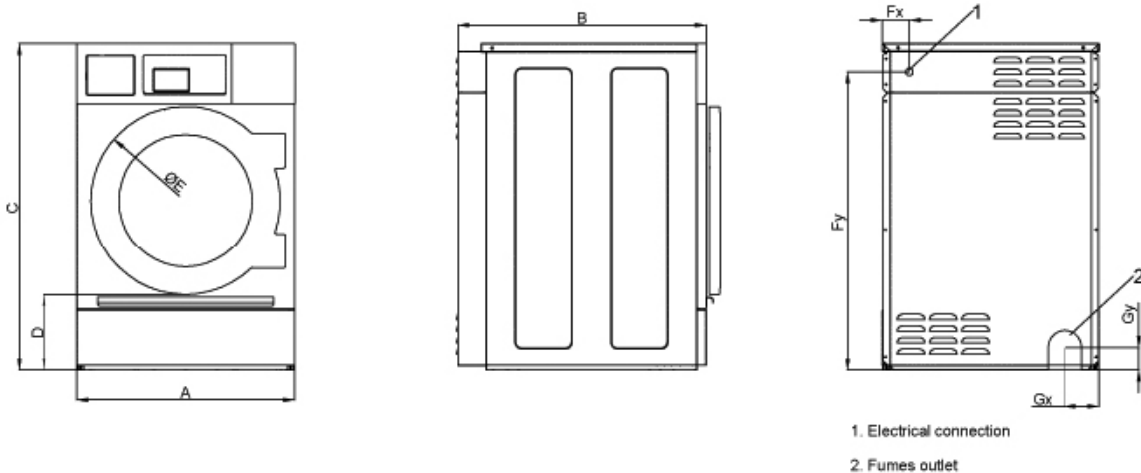


TECHNICAL DATA	UNIT.	HPD-8	HPD-10
<b>CAPACITY &amp; DRUM</b>			
Capacity 1:20	Kg	8	10
Volume (litres)	l	160	200
Drum diameter $\varnothing$	mm	590	590
Drum depth	mm	585	690
<b>DOOR</b>			
Height center door	mm	545	545
Height base door	mm	250	250
Door diameter	mm	588	588
<b>GENERAL DETAILS</b>			
TOUCH CONTROL	-	Touch screen 4,3"	Touch screen 4,3"
USB connection	-	Yes	Yes
Construction	-	Skinplate panels	Skinplate panels
Plinth	-	OPT	OPT
Self-service version	-	Yes	Yes
<b>POWER</b>			
Motor	kW	0,37	0,37
Electric heating	kW	7,5	7,5
<b>CONNECTIONS</b>			
Exhaust $\varnothing$	mm	100	100
Airflow	m3/hour	No	No
<b>DIMENSIONS / PACKING DIMENSIONS</b>			
Width	mm	680 / 710	680 / 710
Depth	mm	698 / 832	772 / 832
Height	mm	1040 / 1130	1040 / 1130
Net weight / Gross weight	Kg		



	A	B	C	D	E	Fx	Fy	Gx	Gy
HPD-8	680	698	1040	250	588	85	950	108	90
HPD-10	680	772	1040	250	588	85	950	108	90