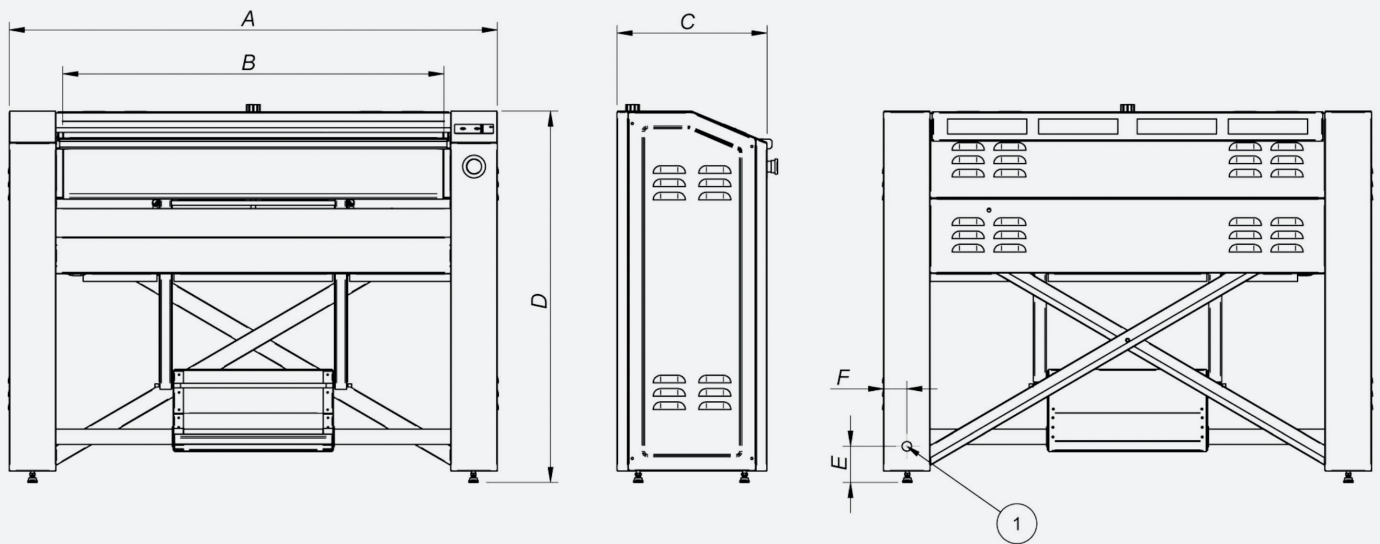


TECHNICAL DATA	UNIT.	PM-1018	PM-1218
GENERAL DETAILS			
Theoretical production 20-25 % humidity	Kg/h	15	20
Ø Roll	mm	180	180
Working width	mm	1.000	1.200
Working speed	mt/min	2,02	2,02
Electronic Control	-	Yes	Yes
Bed lifting	-	Manual	Manual
POWER			
Heating Power	Kw	3,3	4
Roller Motor Power	Kw	0,03	0,03
Total electric Power	Kw	3,33	4,03
Tension	V	230V I 50/60 Hz	230V I 50/60 Hz
DIMENSIONS			
Width	mm	1.286	1.486
Depth	mm	430	430
Height	mm	970	970
Weight	Kg	88	90
Volume	m3	0,54	0,62
PACKAGING DIMENSIONS			
Width	mm	1.490	1.690
Depth	mm	540	540
Height	mm	1.140	1.140
Weight	Kg	104	108
Volume	m3	0,74	0,85
OTHERS			
Sound Level	dB	45	45



	MODEL	A	B	C	D	E	F
ELECTRICAL CONNECTION	PM-1018	1.286	1.000	400	970	95	61
	PM-1218	1.486	1.200	400	970	95	61