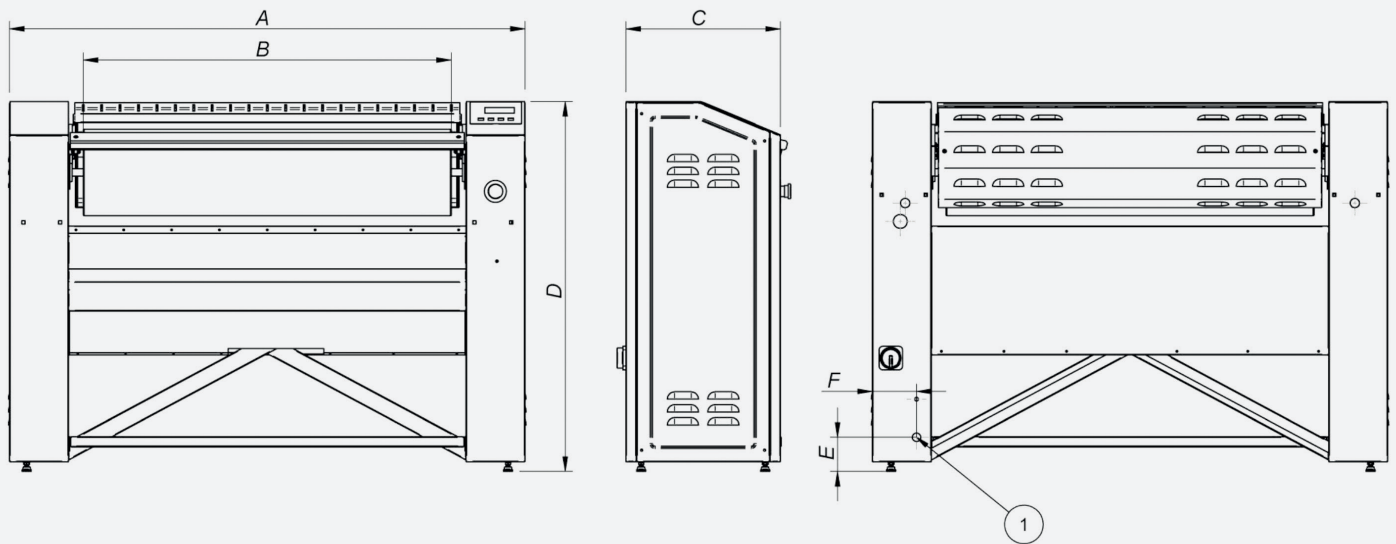


TECHNICAL DATA	UNIT.	PM-1025	PM-1225	PM-1425
GENERAL DETAILS				
Theoretical production 20-25 % humidity	Kg/h	30	35	40
Ø Roll	mm	250	250	250
Working width	mm	1.000	1.200	1.400
Working speed	mt/min	4,2	4,2	4,2
Electronic Control	-	Yes	Yes	Yes
Bed lifting	-	Auto	Auto	Auto
POWER				
Heating Power	Kw	4,95	6	7
Roller Motor Power	Kw	0,18	0,18	0,18
Total electric Power	Kw	5,13	6,18	7,18
Tension	V	400V III 50Hz (option 230V I)	400V III 50Hz (option 230V I)	400V III 50Hz (option 230V I)
DIMENSIONS				
Width	mm	1.400	1.600	1.800
Depth	mm	445	445	445
Height	mm	1.005	1.005	1.005
Weight	Kg	86	99	107
Volume	m3	0,63	0,72	0,81
PACKING DIMENSIONS				
Width	mm	1.490	1.690	1.900
Depth	mm	540	540	540
Height	mm	1.140	1.140	1.140
Weight	Kg	115	122	134
Volume	m3	0,92	1,04	1,17
OTHERS				
Sound Level	dB	55	55	55



	MODEL	A	B	C	D	E	F
ELECTRICAL CONNECTION	PM-1025	1.400	1.000	420	1.005	93	120
	PM-1225	1.600	1.200	420	1.005	93	120
	PM-1425	1.800	1.400	420	1.005	93	120