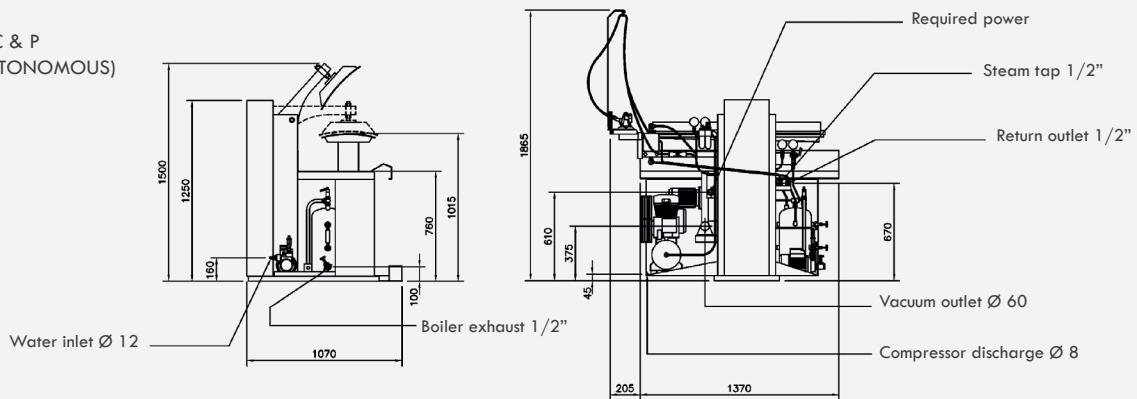


TECHNICAL DATA	UNIT.	PUN-C		PUN-C C&P	
		WITH BOILER	WITHOUT BOILER	WITH BOILER	WITHOUT BOILER
GENERAL DETAILS					
Board dimensions	mm	1.170 x 360 x 220	1.170 x 360 x 220	940 x 160	940 x 160
Boiler capacity	l	16	-	16	-
Compressor	-	Opt	Opt	Opt	Opt
Group of Iron	-	Opt	Opt	Opt	Opt
Steam gun	-	Opt	Opt	Opt	Opt
Polished upper buck	-	Opt	Opt	Opt	Opt
POWER					
Vacuum Motor	HP	0,6	0,6	0,6	0,6
Pump Motor	HP	0,75	-	0,75	-
Compressor motor (Mod. with option)	HP	2	2	2	2
Boiler Heater	kW	12	-	12	-
CONNECTIONS					
Ø Water inlet	BSP	3/8"	-	3/8"	-
Ø Boiler exhaust (mod. with boiler)	BSP	1/2"	-	1/2"	-
Ø Steam inlet	BSP	-	1/2"	-	1/2"
Ø Condensate outlet	BSP	-	1/2"	-	1/2"
Steam pressure	BAR	4-5	4-5	4-5	4-5
Steam Consumption	Kg/h	12-20	12-20	12-20	12-20
Ø Air inlet	BSP	-	3/8"	-	3/8"
Ø Air pressure	BAR	6-7	6-7	6-7	6-7
Ø Air Consumption	Nl/m	40	40	40	40
DIMENSIONS / PACKING DIMENSIONS					
Width / Width	mm	1.370/1.440	1.370/1.440	1.370/1.440	1.370/1.440
Depth / Depth	mm	1.080/1.110	1.080/1.110	1.080/1.110	1.080/1.110
Height / Height	mm	1.250/1.410	1.250/1.410	1.250/1.410	1.250/1.410
Net weight / Gross weight	kg	292/342	237/287	292/342	237/287
Gross volume	m ³	2,25	2,25	2,25	2,25
OTHERS					
Voltage	Hz	230/400V III 50	230/400V III 50	230/400V III 50	230/400V III 50
Sound level	dB	70	70	70	70

PUN-C / PUN-C C & P
WITH BOILER (AUTONOMOUS)



PUN-C / PUN-C C & P
WITHOUT BOILER

